



## Course Outline CADWorx® P&ID Professional

The CADWorx P&ID Professional course teaches best practices and how to quickly create intelligent P&IDs using CADWorx. The course starts with a P&ID using CADWorx blocks, then shows how to link that drawing to a database. Later, a drawing is created from scratch running with a live database. Topics include setting up drop-down lists, data inheritance for in-line components, proper techniques for editing components, working with the database, producing reports, and much more. The course is designed for beginners, but it has many topics that will be of interest to more advanced users. It is ideal for companies training their designers on the proper techniques for working with intelligent P&IDs.

### CADWorx P&ID

#### Table of Contents

#### LESSON 1

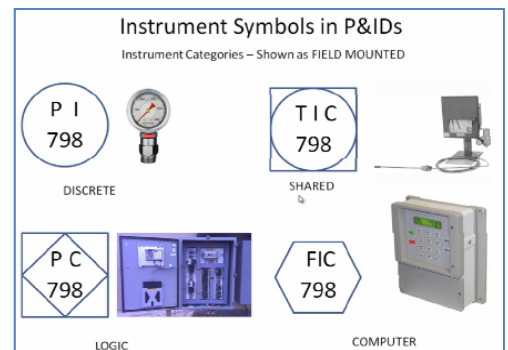
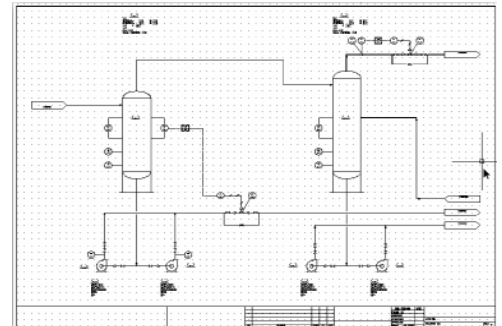
- Video 1 Drawing without a Live Database, The User Interface, Inserting a Border
- Video 2 Placing Equipment
- Video 3 Copying, Stretching Equipment, Placing Off-Page Link Arrows
- Video 4 Drawing Process Lines
- Video 5 Adding Valves and Reducers, Drawing a Control Station
- Video 6 Adding Instruments
- Video 7 Understanding Different Types of Instruments
- Video 8 Adding Instruments, Flow Arrows, Vessel Internals

#### LESSON 2

- Video 1 A Look at Databases, Linking the First Drawing to a Database
- Video 2 Drop Down Lists, Combining and Embedding Instruments, Linking Docs
- Video 3 Using a Specification, A Line Numbering System, Combine Lines
- Video 4 Auto Size/Spec Update, Inheritance Setup, Process Data, Match Prop
- Video 5 Assigning Size and Spec, Combining Instruments
- Video 6 File Manager, Renaming a Drawing, A New Drawing with Database
- Video 7 Production Drawing Techniques with Database, Tagging Lines
- Video 8 Equipment Nozzles, Completing the Drawing
- Video 9 Title Block Manager, Check In/Out, Transport Documents
- Video 10 Export, Synchronize/Audit, Process Line Number
- Video 11 Linking Lines Across Multiple Drawings

#### LESSON 3

- Video 1 Exploring the Project Database, Inputting Data, Producing Reports



CADWorx Input Form

### Vessel Input Form

Area: [dropdown]      I eg 20-101      Orientation: [dropdown]  
 Unit: [dropdown]      Size: 1500      Weight: [dropdown]  
 Service: GAS ABSORBER      Length: 7000      Price: [dropdown]  
 Dwg. Name: TFD\_03.DWG      Type: [dropdown]      PO No.: [dropdown]  
 Item No.: [dropdown]      SCM Type: [dropdown]      Purchase Status: [dropdown]  
 Short Desc: GAS ABSORBER      Documents: 0  
 Long Desc: [text area]      View/Add Documents

All     Blank     Non-Blank

		Nozzles			
Manufacturer	Model Number				
Elements		N1	0"	150_M	INLET
Internal Design Pressure	20 BARG	N1	0"	150_M	INLET
External Design Pressure	90%/ADC				
Internal Design Temperature	XXX				
External Design Temperature	XXX				
Operating Pressure					
Operating Temperature					
MMBT					